

Quadratec® Dual Steering Stabilizer Kit

Installation Manual: for '07- Current (JK) Wrangler

#16116.0205



PARTS LIST:

Steering Damper - Qty 2
Decal - Qty 2
Hourglass Bushing - Qty 2
Sleeve - Qty 2
Drivers Bracket
Passenger Bracket
Stem Bushing - Qty 4
Stem Washer - Qty 4
Stem Nut - Qty 2

PARTS LIST continued:

Stud Kit:
Studs - Qty 2
1/2" Lock Washer - Qty 2
1/2" Nut - Qty 2
7/16" Flat Washer - Qty 2
7/16" Lock Washer - Qty 2
7/16" Nut - Qty 2
5/16 x 1-1/2 x 2 U-Bolt - Qty 4
5/16 Serrated Course Nut - Qty 8
3/8 x 2-3/4 x 3 U-Bolt - Qty 2
3/8 Serrated Course Nut - Qty 4

TOOLS REQUIRED:

Safety Glasses
13 mm, 15 mm, 18mm Sockets
9/16", 11/16" Sockets
Tape Measure
Adjustable Wrenches
Torque Wrench

⚠ WARNING ⚠

TO REDUCE RISK OF SERIOUS INJURY OR PROPERTY DAMAGE: READ ALL SAFETY MESSAGES AND UNDERSTAND ALL INSTRUCTIONS AND PROCEDURE NOTICES BEFORE ATTEMPTING TO INSTALL OR USE THIS PRODUCT. FOLLOW ALL INSTRUCTIONS AND WARNINGS WITH PRODUCT & VEHICLE OWNERS MANUAL.

⚠ CAUTION ⚠

RISK OF EYE INJURY! SAFETY GLASSES MUST BE WORN AT ALL TIMES WHILE INSTALLING OR MAINTAINING THIS PRODUCT. TORQUE AND RECHECK FASTENERS AFTER 100 MILES AND PERIODICALLY THEREAFTER. DO NOT USE IF DAMAGED.



The Trusted Source

A Few Words About Product Safety:

Your Quadratec Suspension product is intended to enhance the utility and enjoyment of your off road capable vehicle. Before installation, please review the following safety information and installation recommendations.

Throughout these instructions important safety information is generally preceded by one of three signal words indicating the relative risk of injury, property damage or adverse consequence. **The signal words mean:**

⚠ WARNING ⚠

a hazardous situation which, if not avoided, could result in death or serious injury. You **CAN** be **KILLED** or **SERIOUSLY HURT** if you don't follow instructions.

⚠ CAUTION ⚠

a hazardous situation which, if not avoided, could result in minor or moderate injury. You **CAN** be moderately **HURT** and also may suffer property damage if you don't follow instructions.

NOTICE

Careful attention is required to this instruction or operation but does generally not relate to personal injury. Damage to your Quadratec® product or other property may result if you don't follow instructions.

Before You Begin Installation:

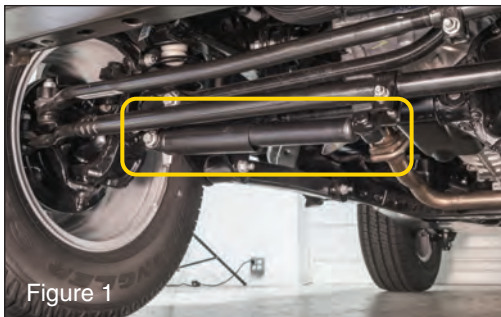
Congratulations on your purchase of the Quadratec Steering Stabilizer Kit for Jeep® Wrangler Vehicles. When unpacking, check to make sure all

parts are included and not damaged due to shipping. If any part is missing or broken, please call Customer Service at 800-745-6037 as soon as possible.

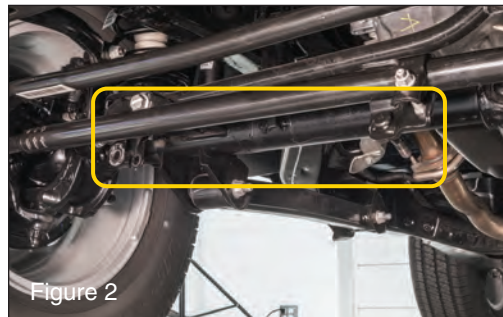
Original Steering Stabilizer Removal

⚠ CAUTION ⚠

PARK THE VEHICLE ON FLAT, LEVEL GROUND AND SET EMERGENCY BRAKE. POSITION WITH FRONT WHEELS AND TIRES STRAIGHT FORWARD.



After securing vehicle as directed above, Put on Safety Glasses. Begin by removing the original steering stabilizer using a 18mm socket and a 18mm wrench. (see FIG 1)

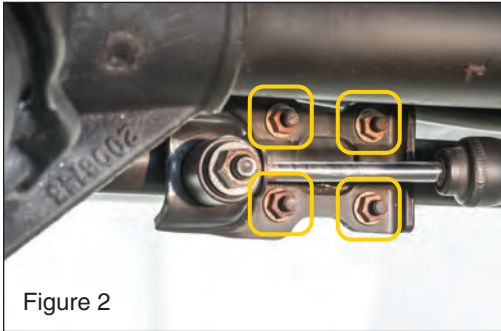


Remove the original steering stabilizer tie rod bracket and discard. (see FIG 2)

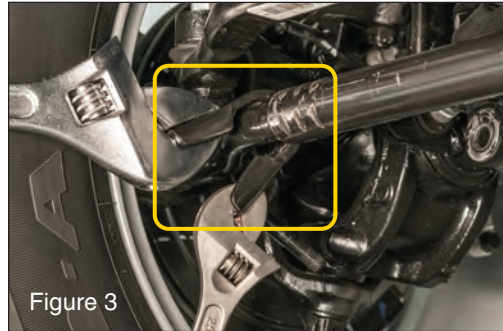


The Trusted Source

Steering Stabilizer Removal



Wrangler JK Model Years '07-'09 will have two u-bolts and a bracket that will need to be removed using a 13mm socket. (see FIG 2)

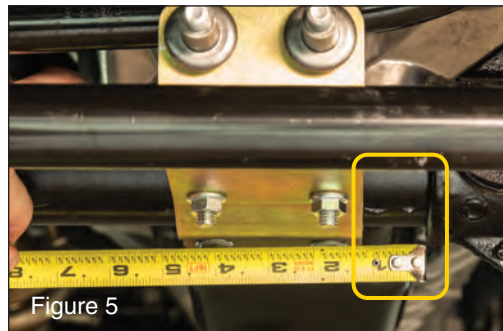


Wrangler JK Model Years '10-'16 will have a clamped-on bracket that will need to be removed. Remove the nut and bolt using a 15mm socket. Slide bracket down to the thinner end and spread apart using two adjustable wrenches as leverage. (see FIG 3)

Steering Stabilizer Installation

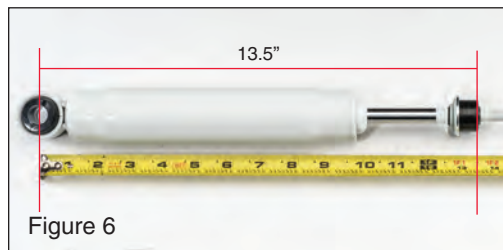


Install two new straight studs into new axle bracket with provided lock washers and nuts using a 3/4" socket and adjustable pliers. (see FIG 4)



Measure 1.25" from the differential housing and install the new bracket under the axle housing using the 3/8" U-Bolts and nuts using a 9/16" socket. Do not tighten at this time. (see FIG 5)

Install one supplied hourglass bushing on body end of each stabilizer. Install one stem washer and bushing onto shaft end of each stabilizer. Extend the new stabilizers exactly 3.25" (exactly halfway). The center to center length will be 13.5" when the stabilizers are half way out. (see FIG 6)



The Trusted Source

Secondary Steering Stabilizer Installation



Figure 7

Install body ends onto each stud on the new axle bracket using 7/16" flat washers, lock washers and nuts using a 11/16" socket. Tighten until the bushings expand and there is pressure on them. (see FIG 7) Install the new driver and passenger side tie rod brackets using the 5/16" U-Bolts and nuts using a 1/2" socket to 15ft lbs. The curved

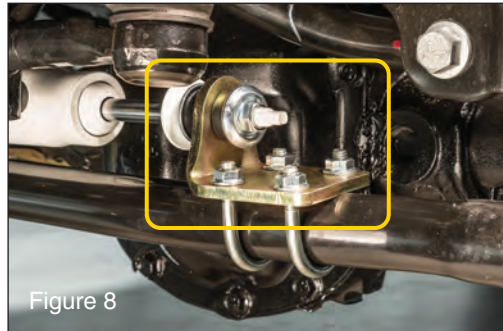


Figure 8

portion of the brackets will be facing the front of the vehicle. Slide the stem bushings and washers on either side of the bracket. Install nuts using a 9/16" socket. Make sure stem bushing lips are towards the brackets. Tighten nuts until bushings start to collapse and expand in diameter so there is pressure on them. (see FIG 8)

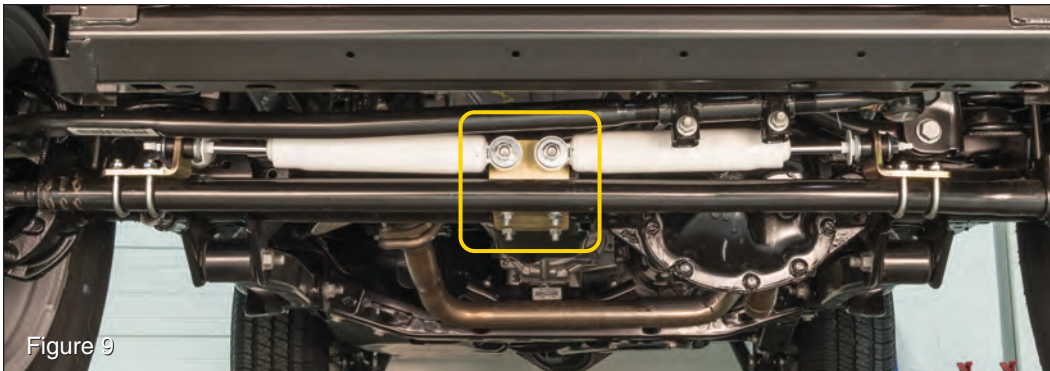


Figure 9

With the original tie rod assembly physically rolled upward, tighten the new axle bracket to 30ft lbs so there is 1/4" clearance between the new steering stabilizer bodies and the original tie rod. (see FIG 9)

Turn the front tires / wheels of vehicle left to right and check that the new stabilizers and all brackets are adjusted

properly. Cycle steering again fully left to right and check for proper clearance.

After the first 100 miles check all of the hardware for proper torque and periodically thereafter.

See separate sheet for Limited Warranty.

©Quadratec, Inc. 2015. All Rights Reserved.
9.15.15 LT Version Part #12999.3039



The Trusted Source

Quadratec® Exclusive Limited Lifetime Warranty

Your Quadratec® branded accessories are covered by the following **Limited Warranty** provided exclusively by Quadratec, Inc., 1028 Saunders Lane, West Chester PA 19380.

This Limited Warranty is the only warranty made in connection with your purchase. Quadratec neither assumes nor authorizes any vendor, retailer or other person or entity to assume for it any other obligation or liability in connection with this product or Limited Warranty. This Limited Warranty does not apply and is not cumulative to any accessory or part distributed by Quadratec for which the Manufacturer provides a separate written warranty.

What is Covered: Subject to the terms, exclusions and limitations herein and with respect only to Quadratec branded accessories first sold in the United States, Quadratec warrants to the initial retail purchaser only that your Quadratec accessory shall be free of defects in material and workmanship: **for as long as the original purchaser owns the vehicle. The Warranty on bushings and other serviceable wear items (including shock absorbers) is limited to 1 year from date of retail purchase.** This Limited Warranty is not assignable and shall terminate upon sale of the vehicle upon which the Quadratec accessory is installed or other transfer third persons.

All other warranties are hereby disclaimed, except to the extent prohibited by applicable law in which case any implied warranty of merchantability or fitness for a particular purpose on this limited to **for as long as the original purchaser owns the vehicle.** Quadratec reserves the rights to: (a.) require invoice or other proof your accessory is within the terms of this Limited Warranty as a condition of warranty service and, (b.) make future revisions to this product and Limited Warranty without prior notice or obligation to upgrade your product.

What is Not Covered:

Your Quadratec Limited Warranty does not cover products or parts Quadratec determines to have been damaged by or subjected to: (a.) installation damage, alteration, modification, combination with other parts, failure to maintain or improper repair or service, (b.) defects or use which pre-dates installation of Quadratec® accessory

or suspension kit by authorized dealer or shop, (c.) normal wear & tear or gradual reduction in expected performance of vehicle or components, (d.) emissions control or electronic stability systems or components, (e.) cosmetic damage or damage from moisture or water immersion, (f.) fleet, rental or commercial use, (g.) Acts of God, accidents, misuse, negligence, inadequate mounting or impact with vehicle(s), obstacles or other aspects of the environment, (h.) theft, vandalism or other intentional damage. (i.) use in competition or racing.

Other Exclusions: Surface finish of exposed suspension components is not covered under this Limited Warranty.

Remedy Limited to Repair/Replacement:

The exclusive remedy provided hereunder shall, upon Quadratec inspection and at Quadratec's option, be either repair or replacement of product or parts (new or refurbished) covered under this Limited Warranty. Customers requesting warranty consideration should first contact Quadratec to obtain a RGA number (610-701-3336). All labor, removal, shipping and installation costs are customer's responsibility.

Other Limitations - Exclusion of Damages - Your Rights Under State Law:

In consideration of the purchase price paid, neither Quadratec nor any independent Quadratec distributor/licensee are responsible for any time loss, rental costs, or for any incidental, consequential, punitive or other damages you may have or incur in connection with any part or product purchased. Your exclusive remedy hereunder for covered parts is repair/replacement as described above.

This Limited Warranty gives you specific rights. You may also have other rights that vary from state to state. For example, some states do not allow limitations of how long an implied warranty lasts and /or do not allow the exclusion or limitation of incidental or consequential damages, so the limitations and exclusions herein may not apply to you.

©Quadratec, Inc. 2015. All Rights Reserved.



The Trusted Source