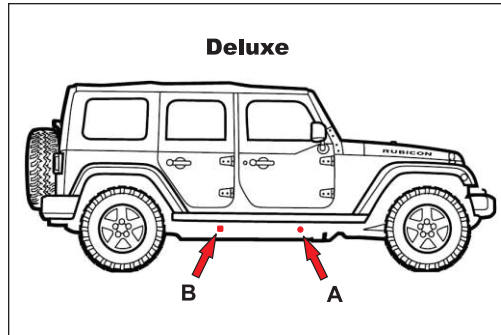
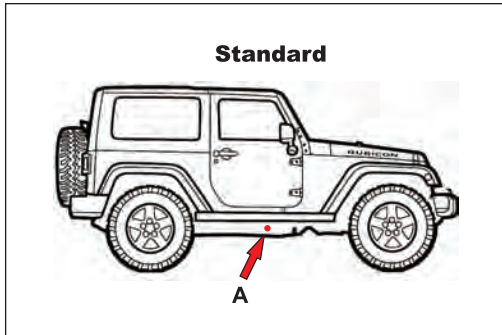


# Quadratec® LED Undercarriage Light Kit

**Installation Manual: for Jeep Wrangler JK 2007-2018**

#97109.3200 Standard / #97109.3201 Deluxe



## PARTS LIST:

Controller box - QTY 1  
RF Remote - QTY 1  
Lights/Brackets (Deluxe) - QTY 4  
Lights/Brackets (Standard) - QTY 2  
Rubber Mounting Pads (Deluxe) - QTY 4  
Rubber Mounting Pads (Standard) - QTY 2  
3mm bolts/nuts/washers - QTY 8  
4mm bolts/nuts/washers - QTY 4  
8' Wiring Extension Cable - QTY 1  
Wire Tap - QTY 1  
Zip ties  
Coil of wire  
Sealant Putty



## REQUIRED TOOLS:

Safety Glasses  
Flat Blade Screw Driver  
3mm Hex/Allen Wrench  
7mm Wrench Or Socket  
Adjustable Wrench (For Battery Terminals)  
Pliers



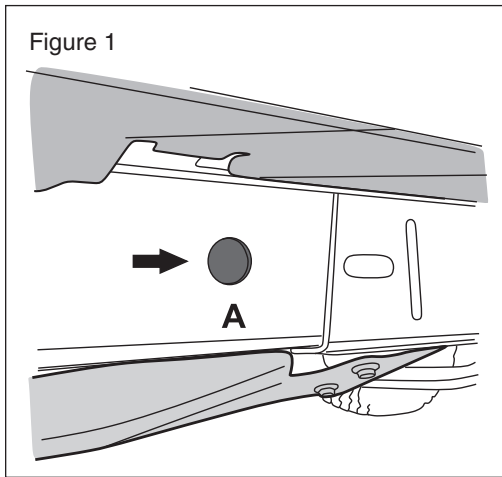
**CAUTION**

**READ ALL SAFETY MESSAGES AND UNDERSTAND ALL INSTRUCTIONS BEFORE ATTEMPTING TO INSTALL THIS PRODUCT. ALWAYS WEAR SAFETY GLASSES DURING INSTALL.**

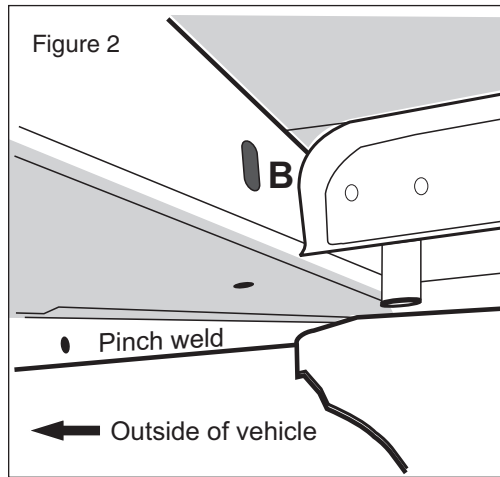


**The Trusted Source**

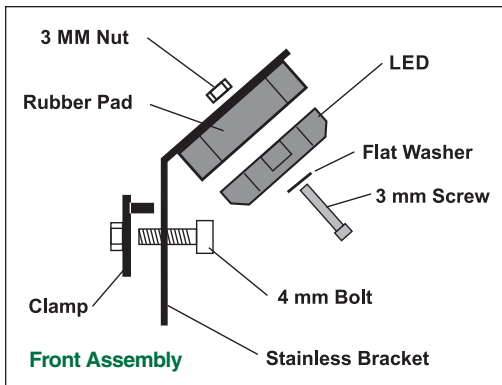
**PART A: Install the Frame Lights and Brackets**



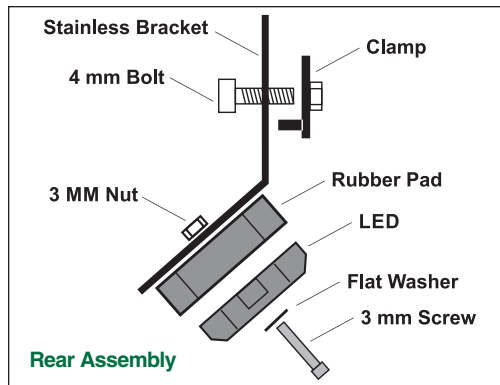
Put on safety glasses. Locate the Front mounting hole position on the vehicle frame. (Fig 1)



Locate the rear mounting hole position on the vehicle body (B).  
NOTE: Deluxe 4 light kit only (Fig 2)



Assemble the LED lamps onto the Stainless brackets using the included hardware as shown. Pre-assemble the internal clamp to the external bracket by tightening the internal clamp just far enough so the tab keeps it from spinning when the fastener is tightened.

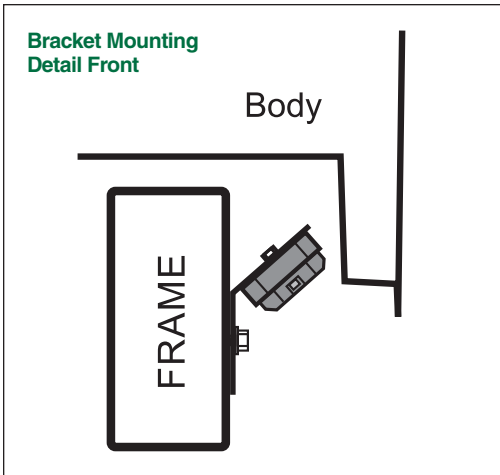


Install the lamp to the vehicle frame by sliding the internal clamp into the desired frame hole (A,B). Once the tab is inside the frame, slide it back until the complete tab is in contact with the inside of the frame structure and then tighten.

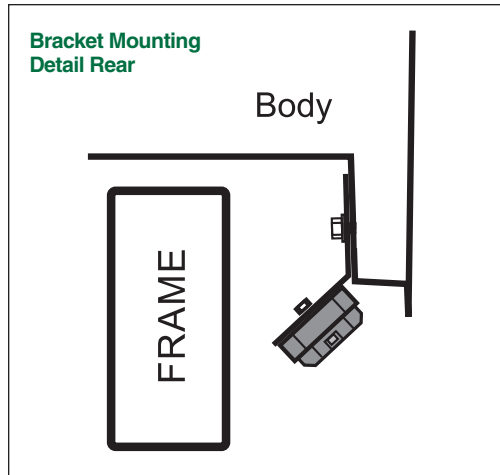


**The Trusted Source**

**PART A: Install the Frame Lights and Brackets**



*Install the complete assembled brackets as shown above for front and rear locations (if so equipped).*



*Proceed to tighten each mounting nut with a 7mm Socket.*



*Above Photos illustrate the completed assemblies installed onto the vehicle in the correct locations, Front and Rear.*

**⚠ CAUTION ⚠**

**THE FOLLOWING STEPS INVOLVE WIRE ROUTING FOR POWER FROM THE VEHICLE TO THE LIGHTS. BE SURE WIRES WILL NOT BE PINCHED, DAMAGED OR MELTED. SECURE WITH ZIP TIES.**



**The Trusted Source**

## PART B: Controller Install and Wiring

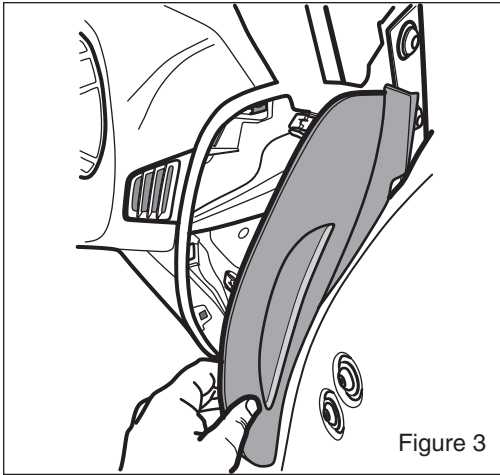


Figure 3

Carefully remove side panel of dash on passenger side. It is held in place with several clips and can be pulled loose by hand. Be careful not to break the mounting clips. (Fig 3)

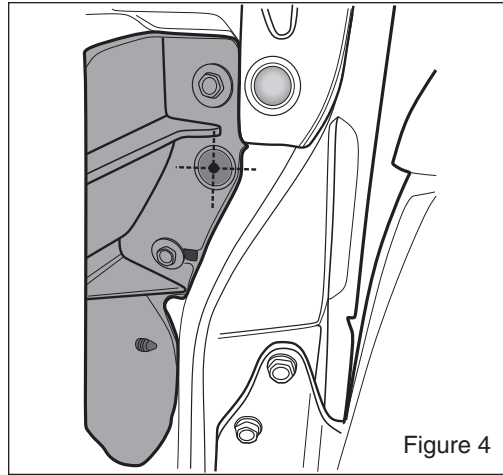


Figure 4

Locate the 1" dia. hole with the yellow foam in it on the metal bracket inside the dash. Use a blade screwdriver to punch a hole through the foam to the engine bay. (Fig 4)

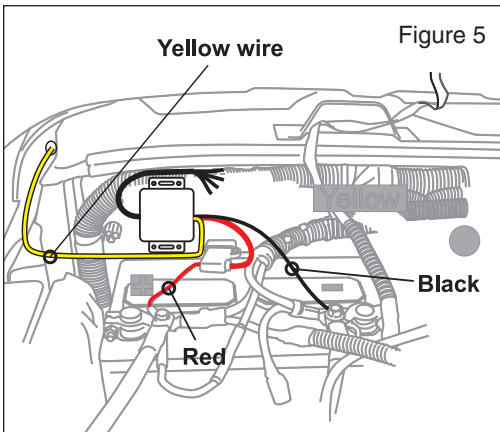


Figure 5

Install controller on passenger side firewall above battery and connect red wire to positive terminal, and black wire to negative terminal on battery. (Fig 5)

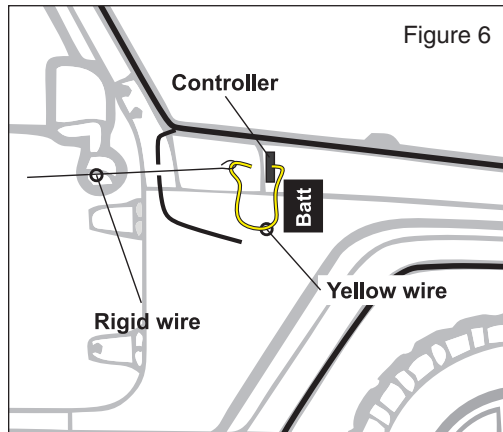


Figure 6

With the controller in the engine bay, use the included coil of rigid wire to pull the yellow controller wire through the 1" firewall hole. Straighten the rigid wire and feed it from the inside of the vehicle to the engine bay. Hook on the yellow wire and pull through to the interior. (Fig 6)



The Trusted Source

**PART B: Controller Install and Wiring**

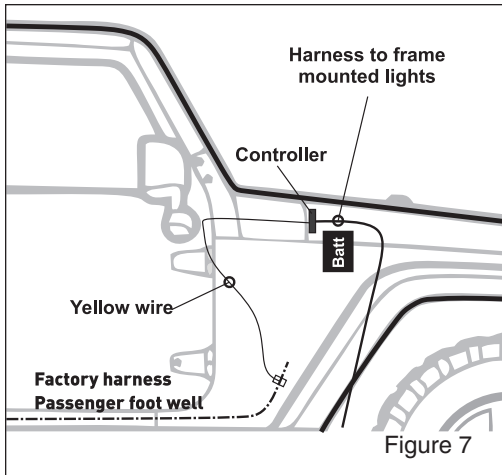


Figure 7

Above illustration shows routing of the yellow wire to inside of the vehicle, where it will be connected to the factory

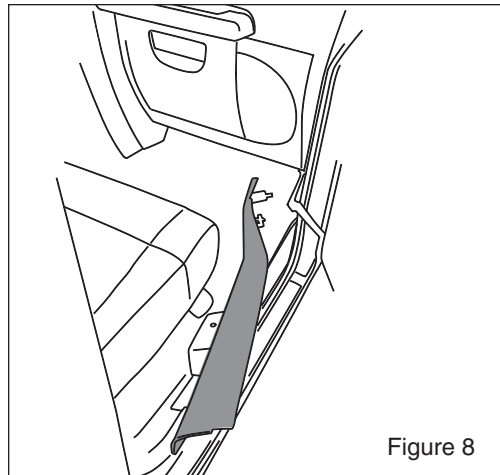


Figure 8

wiring harness. Carefully remove the passenger side door sill trim. (Fig 8)

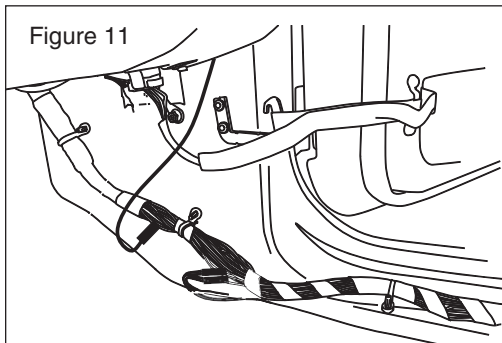


Figure 11

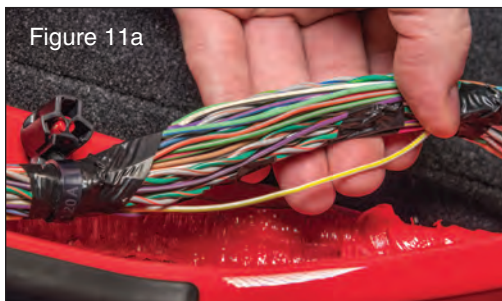


Figure 11a

Use the included wire tap to connect the yellow wire from the controller to the Yellow wire with White tracer in the

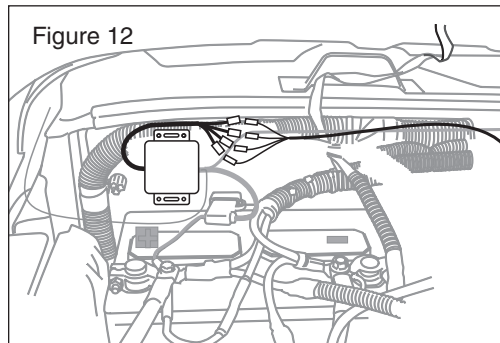


Figure 12

vehicle loom. With tap open slide yellow/white wire in all the way and then close tap on wire. Now install solderless terminal (included) onto yellow wire and plug into tap. (Fig 11) With lights installed on the vehicle frame, run the wires up to the passenger side firewall and connect to controller. Use zip ties to attach wires to appropriate points along the way. (Fig 12)

Driver side rear light will require use of the included 8' Extension harness.



**The Trusted Source**

## PART C: Final Steps

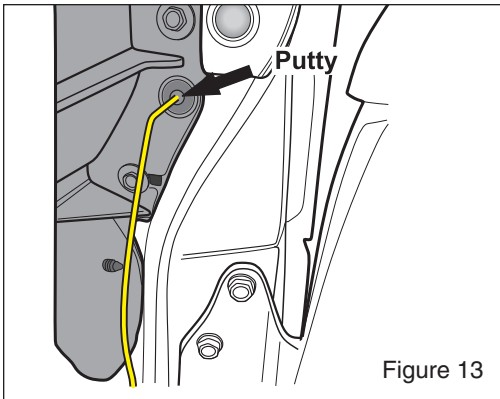


Figure 13

Use included epoxy putty to seal the yellow wire where it comes in from the engine bay. (Fig 13) Mix the epoxy putty by kneading the two parts for one minute.

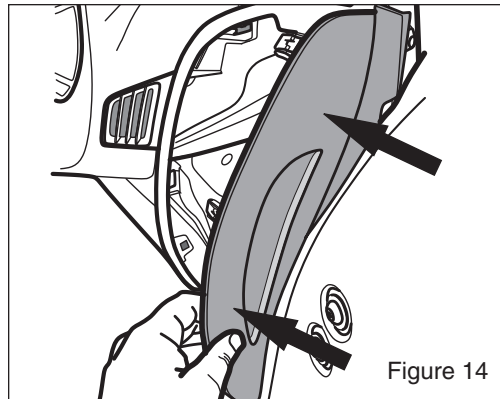


Figure 14

Now replace side panel on dash board and trim inside passenger door to complete installation. (Fig 14)

### Functions

The Yellow/White wire in the factory harness is the interior lamp line and provides the trigger for the Entry/Exit lamps to turn on. Whenever the interior lamp comes on they will turn on as well. This means they will be activated when the locks are activated and when the interior lamps are turned on via the dash switch.

**NOTICE:** It is illegal in some states and jurisdictions to have these lamps on while driving on public roads. Be sure to check local regulations.

**RF Remote:** The RF Remote controls On and Off functions. It can be used at any time to turn the lights on or off.



**NOTICE:** The ignition of the vehicle does not have to be on to activate the lights with the remote.

Be sure not to leave the lights on when using the remote. The controller has a built in timer that will turn off the lights after two hours in case they are accidentally activated or left on.

The lights can be turned on with the remote while driving offroad for added visibility over difficult terrain. They can also be turned on from outside the vehicle with the RF remote from up to 35 feet away.

## NOTICE

**ALWAYS CHECK LIGHTING FUNCTIONS AFTER INSTALLATION. DO NOT DRIVE ON PUBLIC ROADS WITH ENTRY LIGHTS ON AS THIS IS ILLEGAL IN SOME STATES AND JURISDICTIONS.**



**The Trusted Source**



**PART C: Final Steps**



**The Trusted Source**

# Quadratic® Exclusive Three Year Limited Warranty

Your Quadratic® branded accessories are covered by the following **Limited Warranty** provided exclusively by Quadratic, Inc., 1028 Saunders Lane, West Chester PA 19380.

This **Limited Warranty** is the only warranty made in connection with your purchase. Quadratic neither assumes nor authorizes any vendor, retailer or other person or entity to assume for it any other obligation or liability in connection with this product or **Limited Warranty**. This **Limited Warranty** does not apply and is not cumulative to any accessory or part distributed by Quadratic for which the Manufacturer provides a separate written warranty.

**What is Covered:** Subject to the terms, exclusions and limitations herein and with respect only to Quadratic branded accessories first sold in the United States, Quadratic warrants to the initial retail purchaser only that your Quadratic accessory shall be free of defects in material and workmanship: **for a period of three (3) years from date of retail purchase.**

This **Limited Warranty** is not assignable and shall terminate upon sale of the vehicle upon which the Quadratic accessory is installed or other transfer third persons.

All other warranties are hereby disclaimed, except to the extent prohibited by applicable law in which case any implied warranty of merchantability or fitness for a particular purpose on this product is limited to 3 year from date of initial retail sale. Quadratic reserves the rights to: (a.) require invoice or other proof your accessory is within the terms of this **Limited Warranty** as a condition of warranty service and, (b.) make future revisions to this product and **Limited Warranty** without prior notice or obligation to upgrade your product.

**What is Not Covered:**

Your Quadratic **Limited Warranty** does not cover products or parts Quadratic determines to have been damaged by or subjected to:

(a.) installation damage, alteration, modification, combination with other parts, failure to maintain or improper repair or service, (b.) normal wear & tear, cosmetic damage or damage from moisture or water immersion, (c.) Acts of God, accidents, misuse, negligence, inadequate mounting or impact with vehicle(s), obstacles or other aspects of the environment, (d.) theft, vandalism or other intentional damage.

**Remedy Limited to Repair/Replacement:**

**The exclusive remedy provided hereunder shall, upon Quadratic inspection and at Quadratic's option, be either repair or replacement of product or parts (new or refurbished) covered under this Limited Warranty.** Customers requesting warranty consideration should first contact Quadratic to obtain a RGA number (610-701-3336). All labor, removal, shipping and installation costs are customer's responsibility.

**Other Limitations - Exclusion of Damages - Your Rights Under State Law:**

In consideration of the purchase price paid, neither Quadratic nor any independent Quadratic distributor/licensee are responsible for any time loss, rental costs, or for any incidental, consequential, punitive or other damages you may have or incur in connection with any part or product purchased. Your exclusive remedy hereunder for covered parts is repair/replacement as described above.

This **Limited Warranty** gives you specific rights. You may also have other rights that vary from state to state. For example, some states do not allow limitations of how long an implied warranty lasts and /or do not allow the exclusion or limitation of incidental or consequential damages, so the limitations and exclusions herein may not apply to you.

©Quadratic, Inc. 2018. All Rights Reserved.

Part #12999.3099



**The Trusted Source**